

ATS SURGICAL TABLE

INTUITIVE MOTION / UNYIELDING STABILITY



Built to the foremost standard of quality, with intuition and stability in mind the ATS surgical table is the new standard in patient positioning. The ATS surgical features a C-Arm compatible table top with a 225 KG (500 LB) lift capacity. The ATS has many advanced positioning features such as a 180 degree horizontal rotation and a horizontal slide motion to create a greater field of view for C-arm use.



The ATS Surgical Table also features:

- Silent electro-hydraulic movements
- Kidney Bridge
- Electronic control with safety lock
- Mobile anti-static castors with floor lock
- Horizontal Slide
- 180 degree rotation
- "Flex" positioning
- Easy access to electro-hydraulic system for service
- Optional battery backup
- Optional auto-reset / level function
- Optional wireless remote control



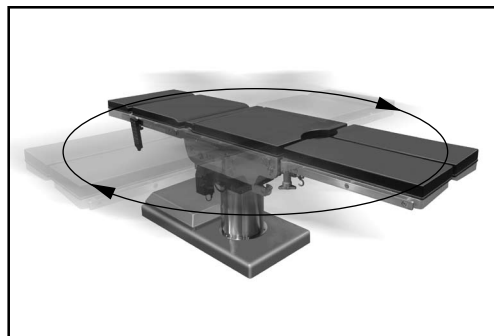
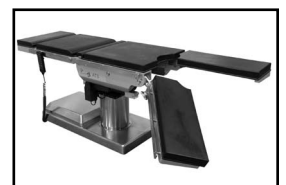
Advanced, Affordable Medical Technology For The World

ATS - MULTIFUNCTIONAL ELECTRO HYDRAULIC OPERATING TABLE TECHNICAL SPECIFICATIONS

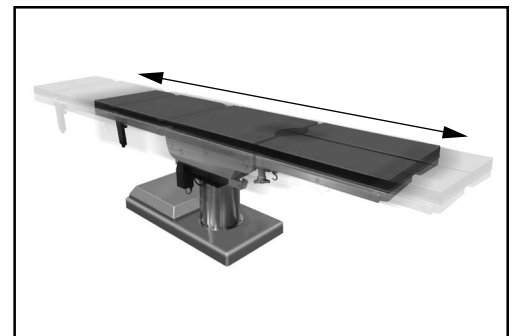
| Model | Standard | Advanced |
|------------------------------------------------|-------------------------------------------------|-------------------------------------------------|
| Bed Size | 2050x500mm | 2150x500mm |
| Height | 670-1100mm | 600-950mm |
| Reverse Trendelenburg | antersion \geq 30°, retroversion \geq 30° | antersion \geq 30°, retroversion \geq 30° |
| Title Left/Right | leftoblique \geq 30°, rightoblique \geq 30° | leftoblique \geq 15°, rightoblique \geq 15° |
| Chest Plate Adjustment | ~ | \geq 25° / \geq 35° |
| Back Plate Adjustment | +75° ~ -20° | +75° ~ -20° |
| Head Plate Adjustment | \geq 40° / \geq 90° | \geq 40° / \geq 90° |
| Leg Plate Adjustment | \geq 90° | \geq 90° |
| Leg Plate Angle | 0~ 90° | 0~ 90° |
| Rotation | 0~ 180° | 0~ 180° |
| Longitudinal Shift | ~ | \geq 350mm |
| Wireless Remote Control and Effective Distance | ~ | standard 2m |
| Wired Remote Control | standard | standard |
| Four-level Position Reset Function | ~ | standard |
| Emergency Power Supply | ~ | standard |

Standard Accessories of ATS

| | | | |
|--------------------|---|------------------|---|
| Anesthesia Frame | 1 | Waist Supporters | 2 |
| Shoulder Supporter | 2 | Square Clamp II | 2 |
| Arm Rest | 2 | Square Clamp I | 5 |
| Leg-Crutches | 2 | | |



180° Rotation



Horizontal Slide

Authorized Distributor:



12151 62nd St N #5 • Largo FL 33773 • USA

Phone: (1) 727-531-8434 • Fax: (1) 727-531-8436

Web: www.infiniummedical.com • Email: sales@infiniummedical.com