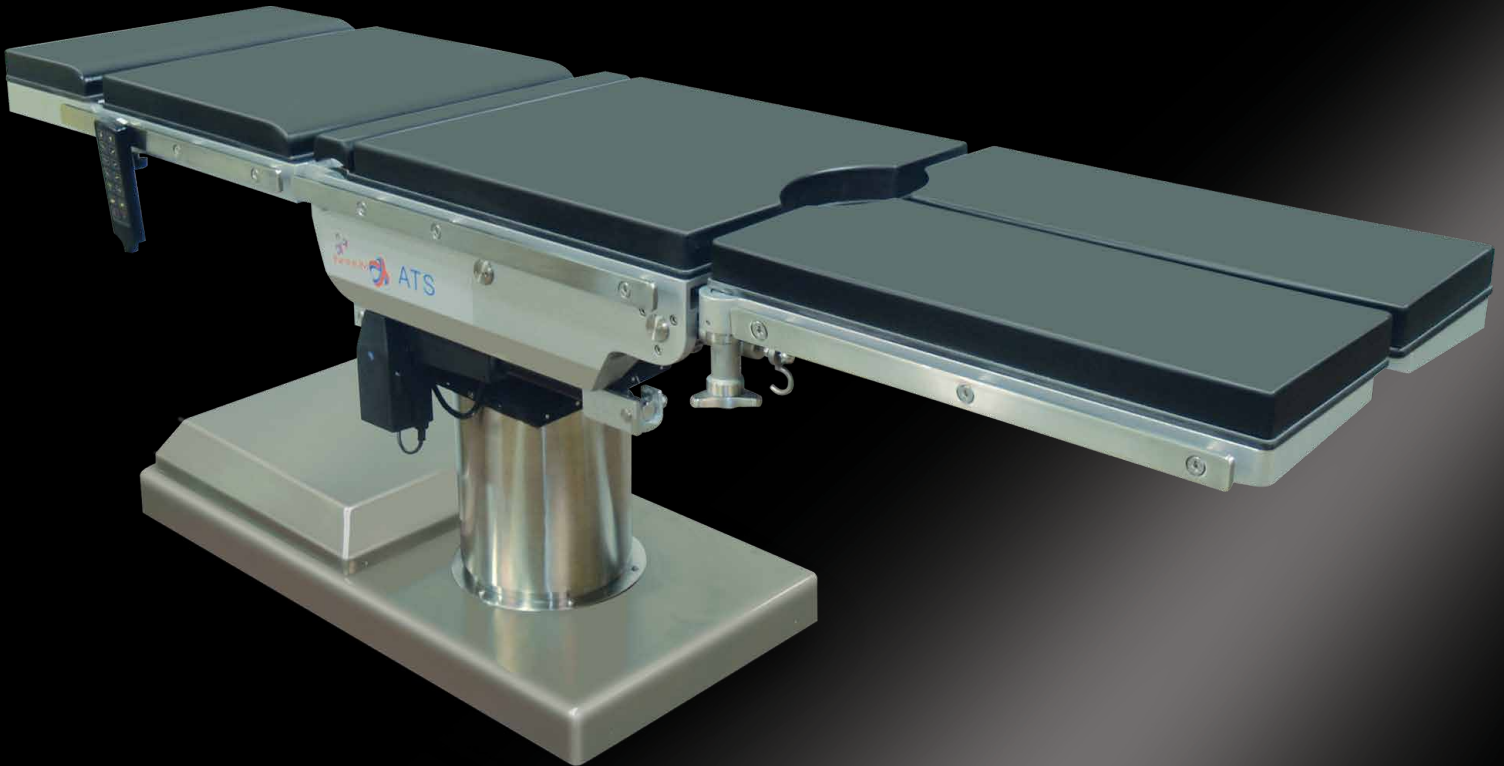


ATS SURGICAL TABLE

INTUITIVE MOTION / UNYIELDING STABILITY



- Silent electro-hydraulic movements
- Kidney Bridge
- Electronic control with safety lock
- Mobile anti-static castors with floor lock
- Horizontal Slide
- 180 degree rotation
- "Flex" positioning
- Easy access to electro-hydraulic system for service
- Optional battery backup
- Optional auto-reset / level function
- Optional wireless remote control



Connect. Share. Advancing Care.

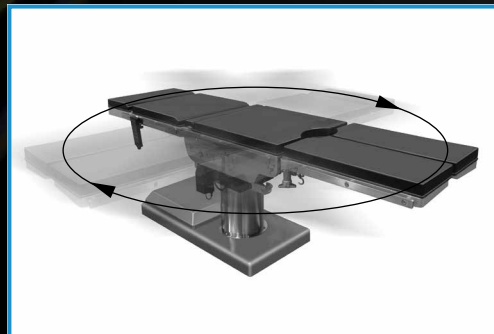
ATS - MULTIFUNCTIONAL ELECTRO HYDRAULIC OPERATING TABLE

Built to the foremost standard of quality, with intuition and stability in mind the ATS surgical table is the new standard in patient positioning. The ATS surgical features a C-Arm compatible table top with a 225 KG (500 LB) lift capacity. The ATS has many advanced positioning features such as a 180 degree horizontal rotation and a horizontal slide motion to create a greater field of view for C-arm use.

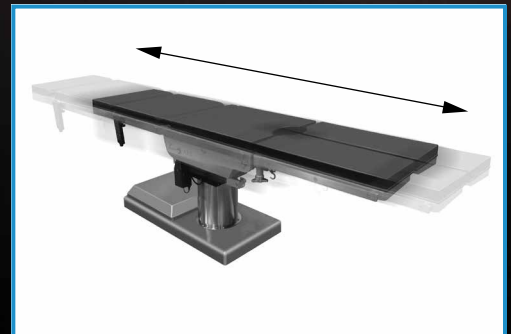
ATS Surgical Table Specifications	
Bed Size	2150x500mm
Height	600-950mm
Reverse Trendelenburg'	anterversion $\geq 30^\circ$, retroversion $\geq 30^\circ$
Title Left/Right	leftoblique $\geq 15^\circ$, rightoblique $\geq 15^\circ$
Chest Plate Adjustment	$\geq 25^\circ / \geq 35^\circ$
Back Plate Adjustment	$+75^\circ \sim -20^\circ$
Head Plate Adjustment	$\geq 40^\circ / \geq 90^\circ$
Leg Plate Adjustment	$\geq 90^\circ$
Leg Plate Angle	0~ 90°
Rotation	0~ 180°
Longitudinal Shift	$\geq 350\text{mm}$
Wired Remote Control	standard
Four-level Position Reset Function	standard
Emergency Power Supply	standard

Standard Accessories of ATS

Anesthesia Frame	1	Waist Supporters	2
Shoulder Supporter	2	Square Clamp II	2
Arm Rest	2	Square Clamp I	5
Leg-Crutches	2		



180° Rotation



Horizontal Slide

Authorized Distributor:



12151 62nd St N #5 • Largo FL 33773 • USA
 Phone: (1) 727-531-8434 • Fax: (1) 727-531-8436
 Web: www.infiniummedical.com • Email: sales@infiniummedical.com